

- > MAGNUM SM 540
- > MAGNUM SX
- > **HELIX DRIVE**
- > MAGNUM ESPH/CSPH
- > MAGNUM LEE/LEC

 WASTE WATER TREATMENT

HELIX DRIVE

THE ECCENTRIC SCREW PUMPS FOR MEDIA WITH LOW AND HIGH VISCOSITY



HELIX DRIVE

The Eccentric Screw Pumps with exceptional performance

Characteristics:

- Abrasion resistant, hardened smooth-running cupped rotors made of tough toolsteel—manufactured by BAUER with a special technology and absolutely break-proof
- Thermally optimized bearing for continuous operation
- Mechanical seal running in oil bath
- Large dimensioned intake and pressure connections to reduce plugging
- Access eye in intake housing
- Robust, permanently lubricated cardan joints
- Compact footprint
- Chassis designed for quick and safe mounting
- Quiet operation
- Easy to maintain
- Self priming

Permanently lubricated cardan joints beneath wearfree, highly tear-resistant Elastopal sleeves

Housing made of hot dip galvanised steel

Driveshaft with oil bath bearing and mechanical seal

Abrasion-resistant, hardened low friction hollow rotor made of tough tool steel

Access eye in the intake housing

Non-swelling stator made of special rubber compound

Unique rotor

The low friction hollow rotor—the key component of every eccentric screw pump—is manufactured in a unique special process in the BAUER factory and is absolutely break-proof.

Longer durability

Tough tool steel and a consistent wall thickness of 8 mm prevent heat accumulation and stress cracks. The special coating applied makes for a tough and smooth surface. This process also ensures a longer life of the stator rubber, as the smooth rotor surface causes considerably less abrasion.

Exceptional smoothness

The light weight of the low friction hollow rotor guarantees consistent running smoothness in all speed ranges.

Eccentric screw pump with motor drive—ideal for stationary use in both agricultural and industrial applications.

For media with low and high viscosity:

- Thick slurry
- Liquid manure
- Sewage sludge
- Bog
- Spent grains
- Draff
- Molasses
- Potato pulp
- Starch
- etc.

HELIX Eccentric Screw Pumps

High quality and reliability

In House factory production guarantees both reliable and immediate availability of consistently high-quality spare parts.



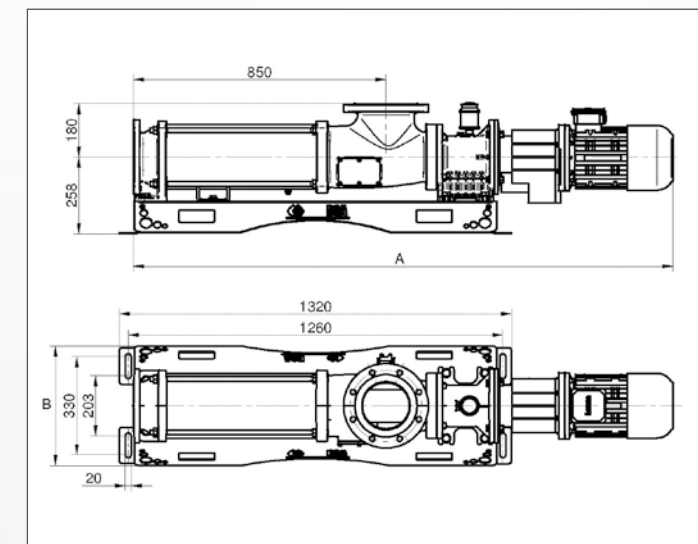
Extensive accessories such as:

- Stone catcher in form of a box or can
- Aspiration mouth with integrated stone catcher
- Drum filling station with adjustable discharge pipe
- All components for suction and pressure lines



Applications:

- Intertank transfer
- Dosing
- Feeding
- Flushing
- Bringing in



Technical Data

Pump type	Performance kW	Max. pressure in Ft/Hd	Flow rate max. m ³ / h	Flange suction side DN	Flange pressure side DN	Dimensions mm A x B
HELIXDRIVE 553	5,5	30	38	150	125	1850 x 400
HELIXDRIVE 556	5,5	60	15	150	125	1745 x 400
HELIXDRIVE 753	7,5	30	48	150	125	1873 x 400
HELIXDRIVE 756	7,5	60	18	150	125	1850 x 400
HELIXDRIVE 1103	11	30	65	150	125	1868 x 400
HELIXDRIVE 1106	11	60	35	150	125	1950 x 400

Rated power with water

PRODUCTS FROM OUR SLURRY PROGRAM



MTXH
Tractor mixer



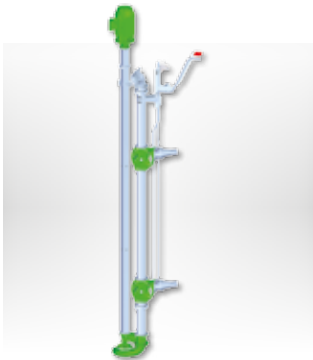
MSXH
Submersible motor mixer



SEPARATOR
Press screw separator for solid-liquid separation



SEPARATOR PLUG & PLAY
System for portable slurry separation



MAGNUM LEE/LEC
Long shaft pump



MAGNUM SM
Thick matter pump gear unit design



MAGNUM CSPH
Submersible motor pump gear unit design



HELIX DRIVE
Eccentric screw pump



MAGNUM SX
Thick matter pump gear and pedestal pump



Slurry tankers and polytanker
Different tanker types for every requirement



Trailing hose applicator
Modular system for all types of tankers



Slurry injector
Innovative spreading technology

Your dealer

Röhren- und Pumpenwerk BAUER GmbH

8570 Voitsberg/Austria

T +43 3142 200-0

F +43 3142 200-320/-340

M sales@bauer-at.com

W www.bauer-at.com

