



FAMOS PUMPS

STRONG HEART OF THE IRRIGATION SYSTEM



FAMOS PUMPS

Pumps with excellent performance

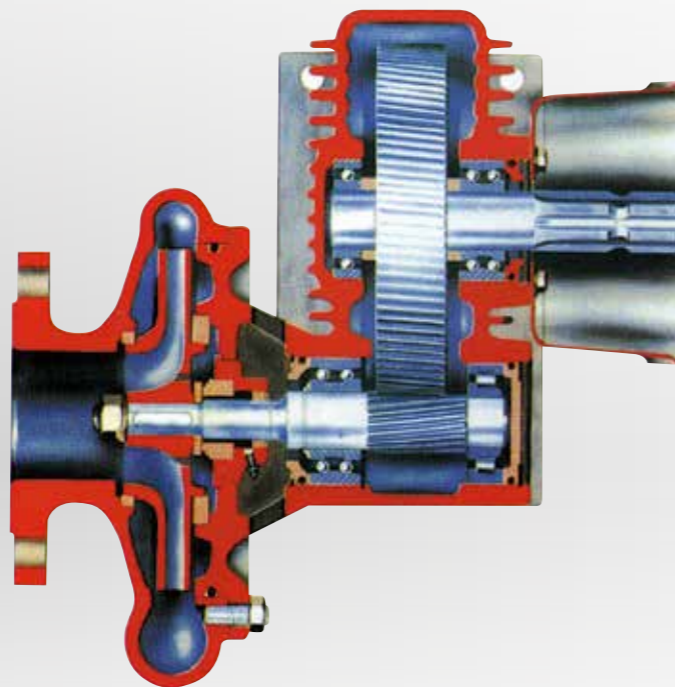
For over 80 years, BAUER has been building pumps for clean water, waste water, and slurry. Long years of experience and continuous development guarantee optimum performance and top quality. FAMOS pumps have proven their worth in the agricultural market, particularly in the field of irrigation.

Grow with BAUER

Since 1930 we have been dealing with intelligent field irrigation. How to use water optimally, how to use areas more efficiently, to keep operating costs low and thus achieve a better yield.

Your specialist in intelligent irrigation systems

We plan, produce and put your system into operation. From the stand-alone-system to the large-scale irrigation system. We plan according to the principle of sustainability. Our products are known for their durability, even under the highest loads. For this we rely on European quality and use only the best materials. They not only guarantee high precision and perfection standards, but also work well on heavy conditions. And because we adapt our solutions to your application requirements, our systems make irrigation very precise and possible almost everywhere.



The ideal FAMOS for every need

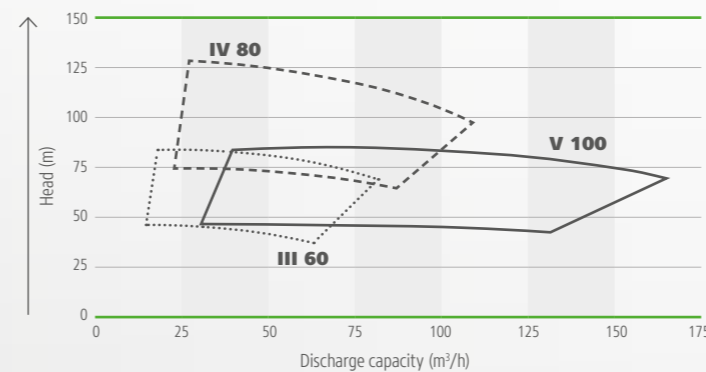
Properly graduated outputs make the FAMOS pump range highly adaptable in terms of operating requirements and guarantee maximum performance whether the pumps are supplying irrigation machines with up to 12 bar pressure or sprinkler plants (pipes and sprinklers) with discharge capacities up to 150 m³/h.

BAUER FAMOS pumps feature maximum efficiency and economy due to an ideally shaped volute housing, a precision-machined impeller, shafts running in ball bearings, and a sophisticated gearbox with equal helical gearings.

High-grade materials processed by qualified technicians provide the BAUER FAMOS pump with the long life demanded from a good pump.

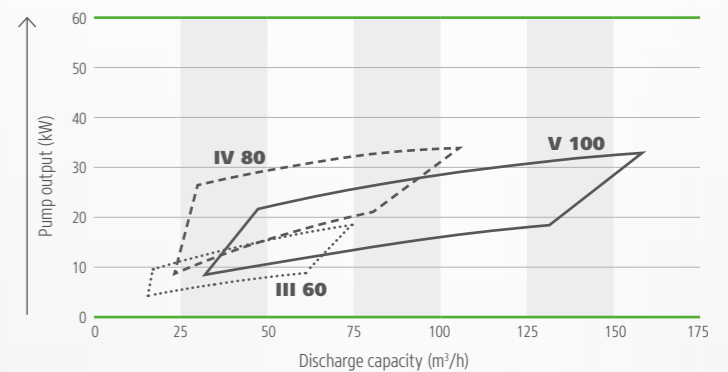
BAUER FAMOS pumps are user-friendly. The mechanical seal is maintenance-free and prevents air intake during the suction procedure. Therefore it is not necessary to readjust or replace the gland packing and pump operation is not disturbed by water leaking from the shaft seal. The oil-filled gearbox is best suited for the tough conditions in agricultural operation.

Pressure and discharge range



The upper limit of the characteristic corresponds to the max. drive speed of 540 rpm.

Performance and discharge range



The motor output must be about 30 to 35% higher than the pump output. The PTO output corresponds to the required pump output.

Technical Data

FAMOS Model	PTO speed up to rpm	Discharge capacity up to m ³ /h	Head up to m	Suction connection DN	Delivery connection DN	Weight kg
III 60	540	80	85	65	50	48
IV 80	540	90	125	80	65	73
V 100	540	150	85	100	80	63

PRODUCTS FROM OUR IRRIGATION PROGRAM



SYSTEM 9000



RAINSTAR



Your dealer

Röhren- und Pumpenwerk BAUER GmbH

8570 Voitsberg/Austria

T +43 3142 200-0

F +43 3142 200-320/-340

M sales@bauer-at.com

W www.bauer-at.com

