



# BAUER

*FOR A GREEN WORLD*

## LIST OF SPARE PARTS

for

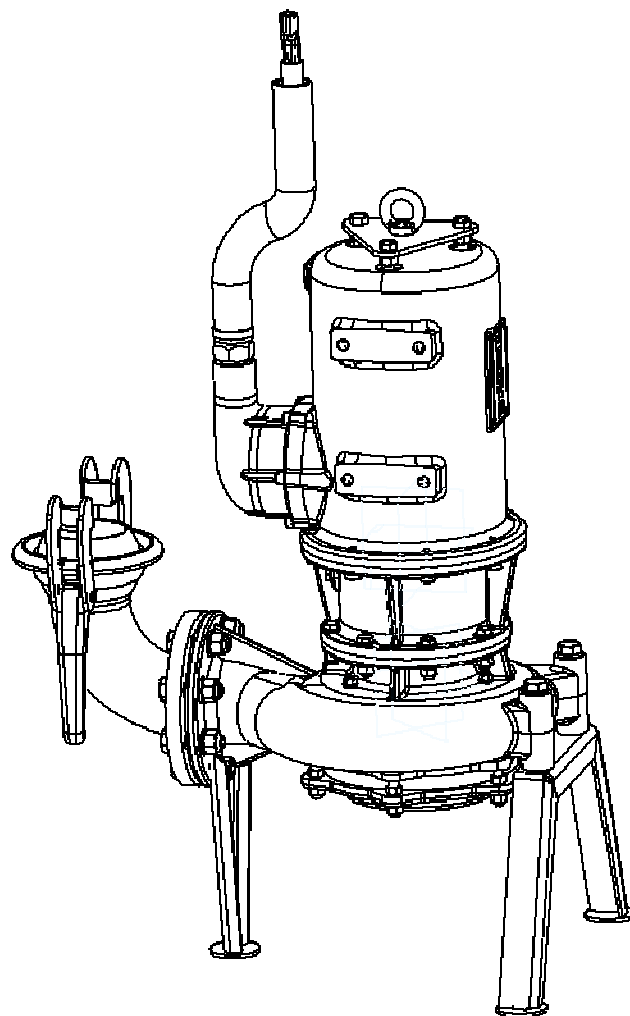
### Submersible Motor Pumps

ESP/CSP

ESPH/CSPH

4,0 kW; 5,5 kW; 7,5 kW

50 Hz/ 60 Hz



ESPH/CSPH  
4,0; 5,5; 7,5

Our staff has strived to offer you a **BAUER product** of best quality equipped with state-of-the-art technology. This List of Spare Parts contains the essential components of your product. For the sake of clarity and because there are many possible variants, the List of Spare Parts does not contain all details.

In case you wish to get more detailed information or in case of special problems not treated in detail in the Operating Instructions and the List of Spare Parts supplied along, you can seek this information at **BAUER company** during our standard office hours.

All pieces of information contained in this List of Spare Parts, are based on the latest production information available at the time of printing.

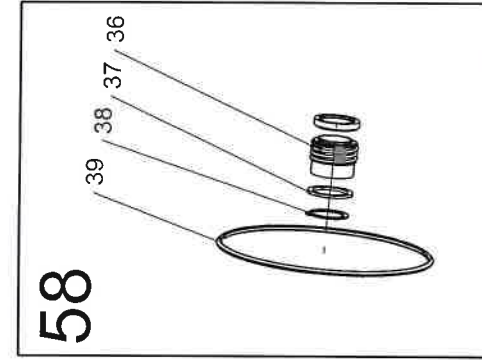
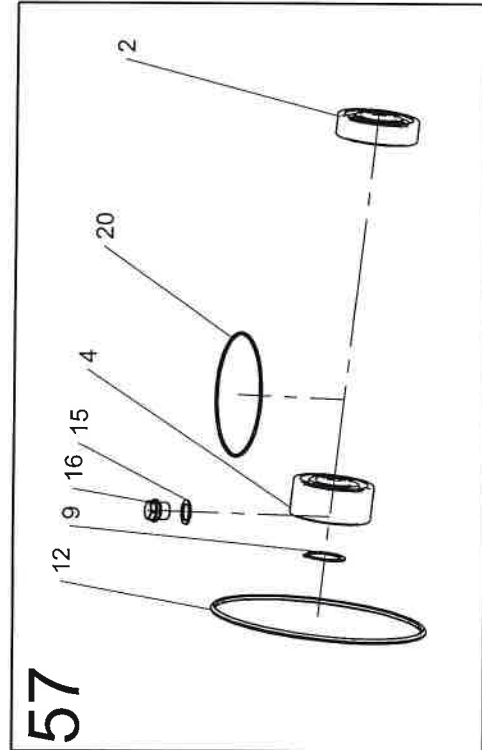
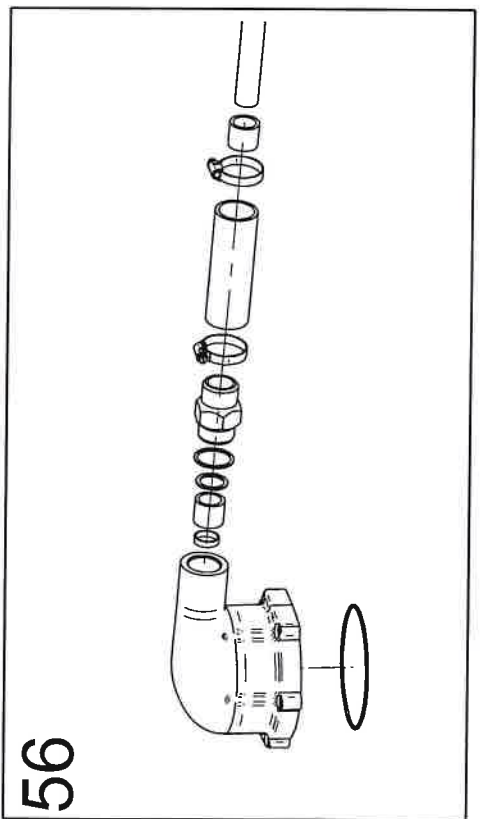
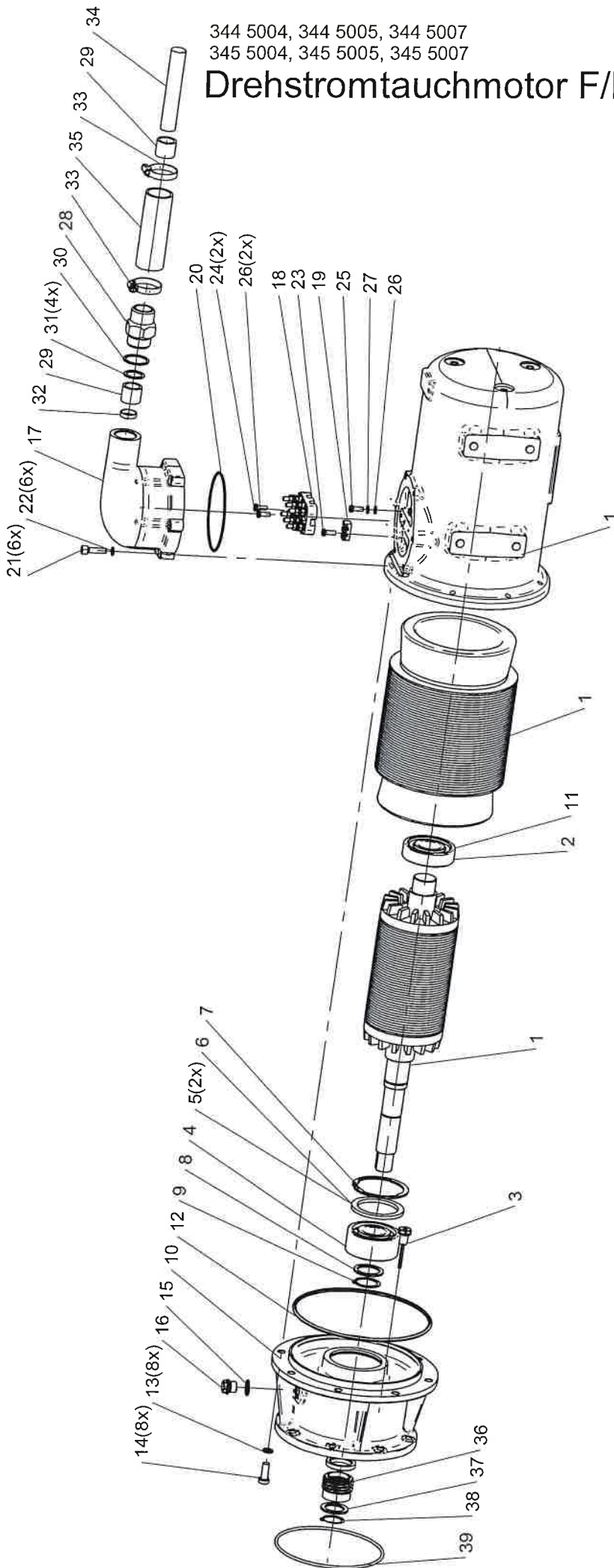
**BAUER company** reserves themselves the right to carry out modifications at any time and without prior notice, without assuming any obligation!

This List of Spare Parts shall be considered as part of the product. Suppliers of new machines and of second-hand machines shall document in writing that this List of Spare Parts has been supplied along with the machine.
--

Röhren- und Pumpenwerk **BAUER** Ges.m.b.H.  
Kowaldstr. 2  
A - 8570 Voitsberg  
phone.: +43 / 3142 / 200 – 0  
fax: +43 / 3142 / 23 0 95

344 5004, 344 5005, 344 5007  
345 5004, 345 5005, 345 5007

# Drehstromtauchmotor F/H EU



**ERSATZTEILISTE**  
**LIST OF SPARE PARTS**  
**LISTE DES PIECES DE RECHANGE**

**Submersible 3-ph motor**  
**344 5004, 344 5005, 344 5007**  
**345 6004, 345 6005, 345 6007**

Bild Fig. Rep.	Bestell Nr. Part No. Référence	Benennung Description Désignation	Stück quant. pièces	Stück quant. pièces	Stück quant. pièces
			<b>4</b>	<b>5,5</b>	<b>7,5</b>
1	345 6004	Submersible 3-ph motor 4,0 kW/ 400V/ 50 Hz/ F	1		
	345 6005	Submersible 3-ph motor 5,5 kW/ 400V/ 50 Hz/ F		1	
	345 6007	Submersible 3-ph motor 7,5 kW/ 400V/ 50 Hz/ F			1
1	344 5004	Submersible 3-ph motor 4,0 kW/ 400V/ 50 Hz/ H	1		
	344 5005	Submersible 3-ph motor 5,5 kW/ 400V/ 50 Hz/ H		1	
	344 5007	Submersible 3-ph motor 7,5 kW/ 400V/ 50 Hz/ H			1
2	*	Deep groove ball bearing 6307 Z C3		1	
3		Leakage sensor		1	
4	*	Double angular ball bearing 3307 Z C3		1	
5		Shim washers DIN 988-80x63x2		2	
6		Shim washers DIN 988-80x63x1		1	
7		Circlip securing ring DIN472 -80X2,5		1	
8		Supporting ring 35x45x2,5		1	
9	*	Circlip securing ring DIN 471 - 35x1,5		1	
10		Cover with bearing		1	
11		Ball bearing compensating disk		1	
12	*	O-ring DIN 3771-200x5		1	
13		Lock washer DIN 7980-10		8	
14		Hex. socket head cap screw DIN 6912-M10x25		8	
15	*	Cu washer		1	
16	*	Screw plug DIN 910-3/8"-A2		1	
17	*	Cover of terminal box		1	
18		Terminal board Indukta BG 160/180		1	
19		Block terminal MK3/12 KRGSS		2	
20	*	O-ring DIN 3771-84,0x3 -NBR 70		1	
21		Hex. socket head cap screw DIN 912-M8x30		6	
22		Lock washer DIN 7980-D8		6	
23		Socket low head cap screw M3x16 DIN 84-vz		1	
24		Socket low head cap screw M6x16 DIN 84-vz		2	
25		Socket low head cap screw M6x16 DIN 84-Ms		1	
26		Washer A6 DIN 125 Ms		3	
27		Lock washer A6 DIN 127		3	
28	*	Pressure screw		1	
29	*	Seal ring Dm23 A4-111		2	
30	*	Cu joint ring-40x34x1,5		1	
31	*	Cu joint ring-32x25x1,5		4	
32	*	Hose clamp Dm16bis25 1.4301		1	
33	*	Hose clamp Dm30bis45 1.4301		2	
34	*	Submersible motor line A07RN-F 12Gx2,5mm <sup>2</sup>		8,4m	
35	*	Protective hose 32x4,8 PVC with fabric		1m	
36	*	Mechanical seal MG 12/30-G80 AQ1VGG		1	
37	*	Supporting ring DIN 988 - S30x42x2,5		1	
38	*	Circlip securing ring DIN 471 - 30x1,5		1	
39	*	O-ring DIN 3771-160x4		1	
56	344 2228	Repair kit terminal box cpl. compound-filled		1	
57	344 2230	Repair kit 3-ph motor		1	
58	344 2232	Repair kit mechanical seal		1	

*\* nur im Set erhältlich / only available as set*

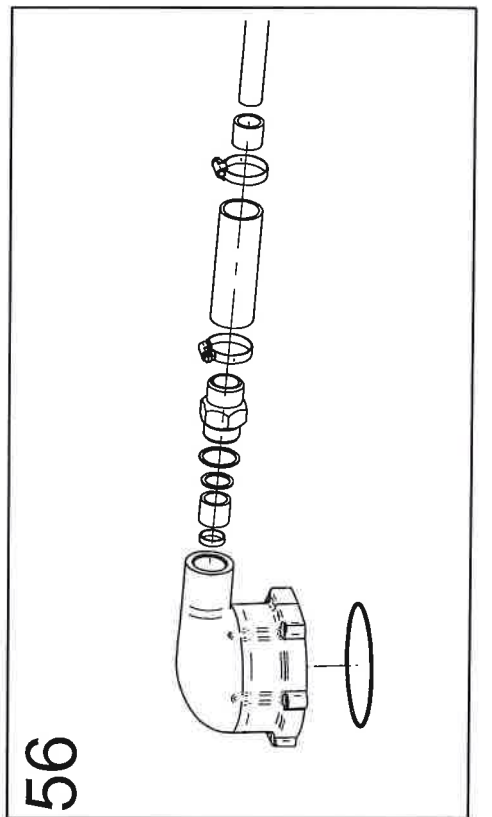
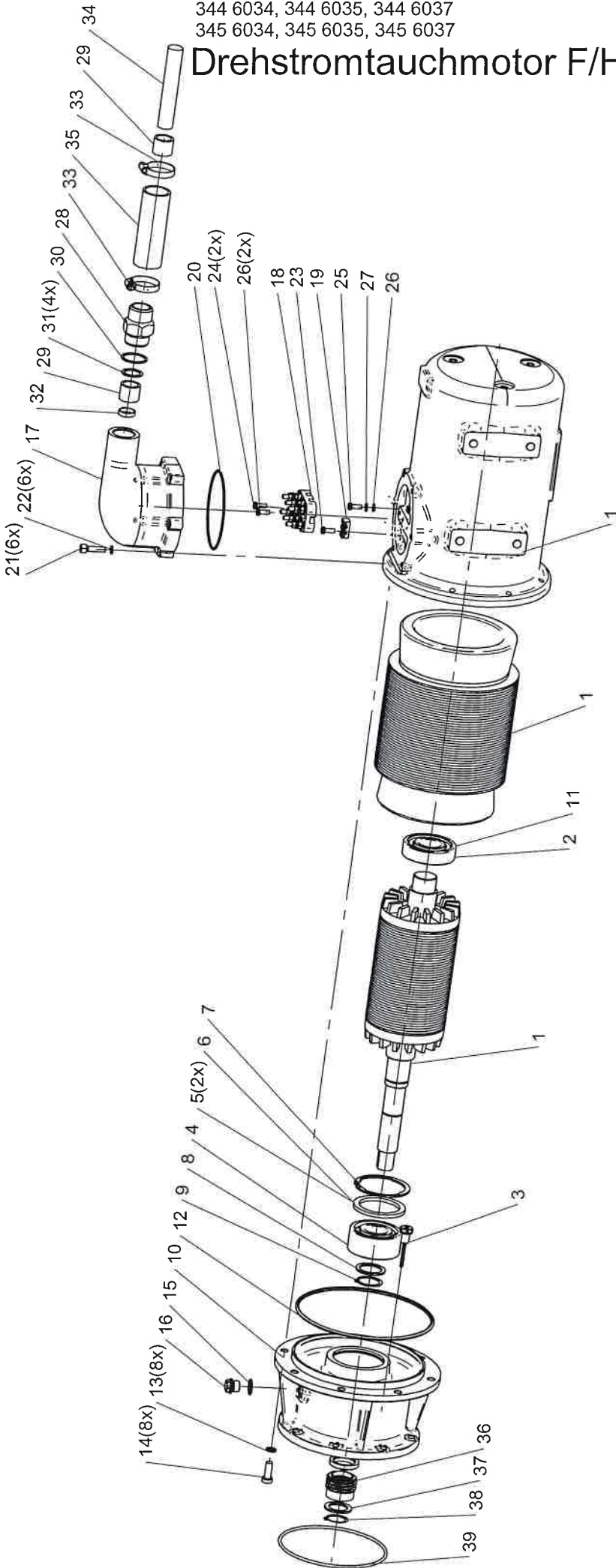
*Teile ohne Bestell Nr. sind keine E-Teile. Preis und Lieferzeit nur auf Anfrage.*

*Parts without parts no. are not available as spare parts. Price and delivery time only upon request*

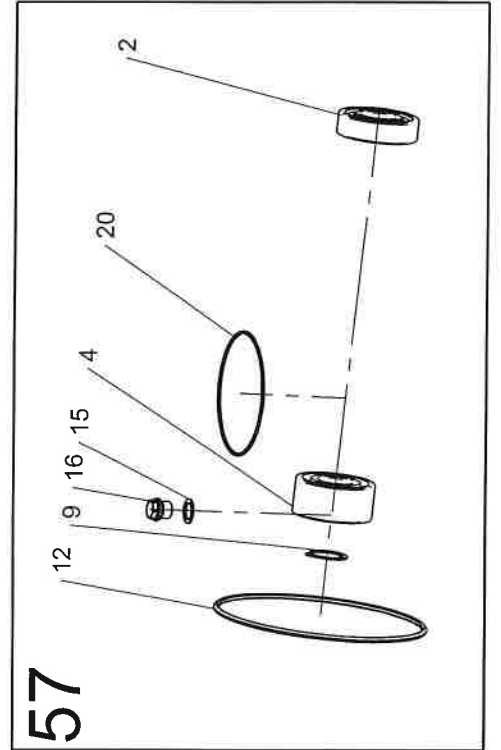


344 6034, 344 6035, 344 6037  
345 6034, 345 6035, 345 6037

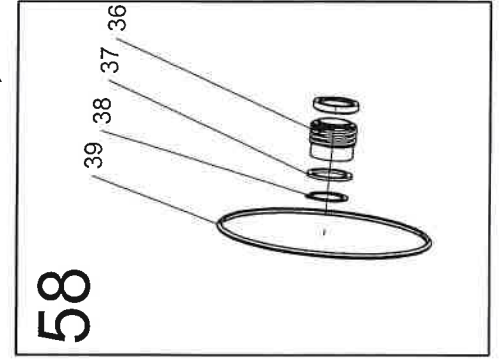
# Drehstromtauchmotor F/H USA



56



57



58

**ERSATZTEILISTE**  
**LIST OF SPARE PARTS**  
**LISTE DES PIECES DE RECHANGE**

**Submersible 3-ph motor**  
**344 6034, 344 6035, 344 6037**  
**345 6034, 345 6035, 345 6037**

Bild Fig. Rep.	Bestell Nr. Part No. Référence	Benennung Description Désignation	Stück quant. pièces	Stück quant. pièces	Stück quant. pièces
			<b>4</b>	<b>5,5</b>	<b>7,5</b>
1	345 6034	Submersible 3-ph motor 4,0 kW/ 480 V / 60 Hz/ F	1		
	345 6035	Submersible 3-ph motor 5,5 kW/ 480 V / 60 Hz/ F		1	
	345 6037	Submersible 3-ph motor 7,5 kW/ 480 V / 60 Hz/ F			1
1	344 6034	Submersible 3-ph motor 4,0 kW/ 480 V / 60 Hz/ H	1		
	344 6035	Submersible 3-ph motor 5,5 kW/ 480 V / 60 Hz/ H		1	
	344 6037	Submersible 3-ph motor 7,5 kW/ 480 V / 60 Hz/ H			1
2	*	Deep groove ball bearing 6307 Z C3		1	
3		Leakage sensor		1	
4	*	Double angular ball bearing 3307 Z C3		1	
5		Shim washers DIN 988-80x63x2		2	
6		Shim washers DIN 988-80x63x1		1	
7		Circlip securing ring DIN472 -80X2,5		1	
8		Supporting ring 35x45x2,5		1	
9	*	Circlip securing ring DIN 471 - 35x1,5		1	
10		Cover with bearing		1	
11		Motor housing 5,5 kW		1	
12	*	O-ring DIN 3771-200x5		1	
13		Lock washer DIN 7980-10		8	
14		Hex. socket head cap screw DIN 6912-M10x25		8	
15	*	Cu washer		1	
16	*	Screw plug DIN 910-3/8"-A2		1	
17	*	Cover of terminal box		1	
18		Terminal board Indukta BG 160/180		1	
19		Block terminal MK3/12 KRGSS		2	
20	*	O-ring DIN 3771-84,0x3 -NBR 70		1	
21		Hex. socket head cap screw DIN 912-M8x30		6	
22		Lock washer DIN 7980-D8		6	
23		Socket low head cap screw M3x16 DIN 84-vz		1	
24		Socket low head cap screw M6x16 DIN 84-vz		2	
25		Socket low head cap screw M6x16 DIN 84-Ms		1	
26		Washer A6 DIN 125 Ms		1	
27		Lock washer A6 DIN 127		3	
28	*	Pressure screw		1	
29	*	Seal ring Dm23 A4-111		2	
30	*	Cu joint ring-40x34x1,5		1	
31	*	Cu joint ring-32x25x1,5		4	
32	*	Hose clamp Dm16bis25 1.4301		1	
33	*	Hose clamp Dm30bis45 1.4301		2	
34	*	Submersible motor line A07RN-F 12Gx2,5mm <sup>2</sup>		8,4m	
35	*	Protective hose 32x4,8 PVC with fabric		1m	
36	*	Mechanical seal MG 12/30-G80 AQ1VGG		1	
37	*	Supporting ring DIN 988 - S30x42x2,5		1	
38	*	Circlip securing ring DIN 471 - 30x1,5		1	
39	*	O-ring DIN 3771-160x4		1	
55	344 2228	Repair kit terminal box cpl. compound-filled		1	
56	344 2230	Repair kit 3-ph motor		1	
57	344 2232	Repair kit mechanical seal		1	

*\* nur im Set erhältlich / only available as set*

*Teile ohne Bestell Nr. sind keine E-Teile. Preis und Lieferzeit nur auf Anfrage.*

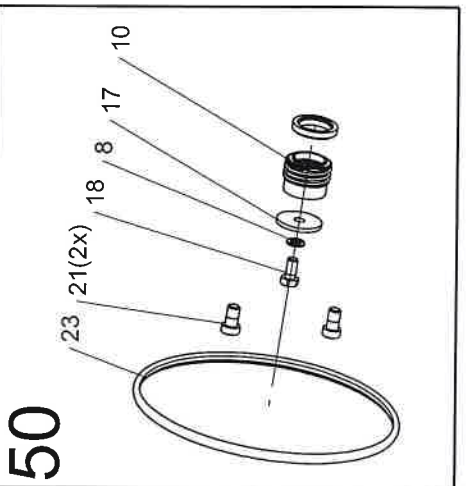
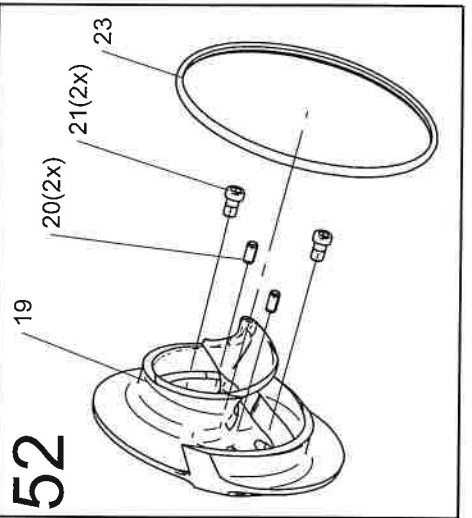
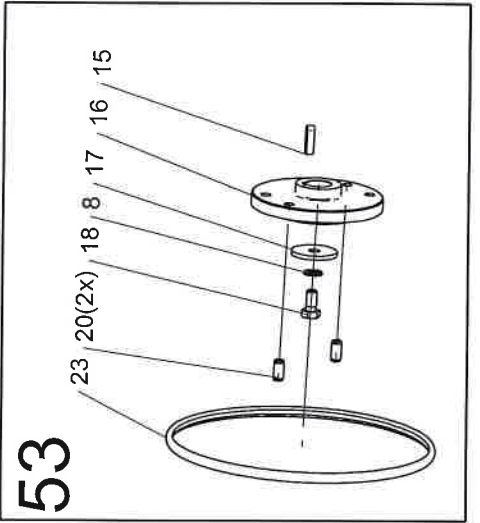
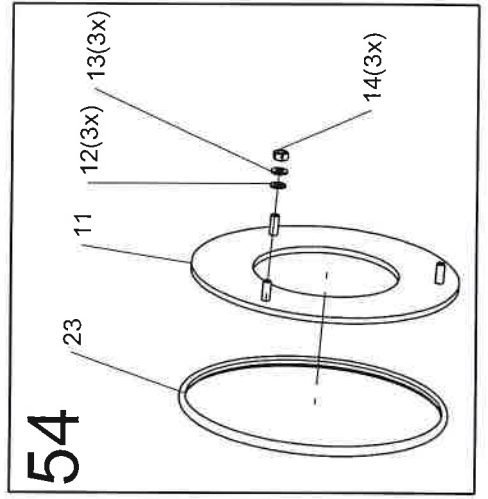
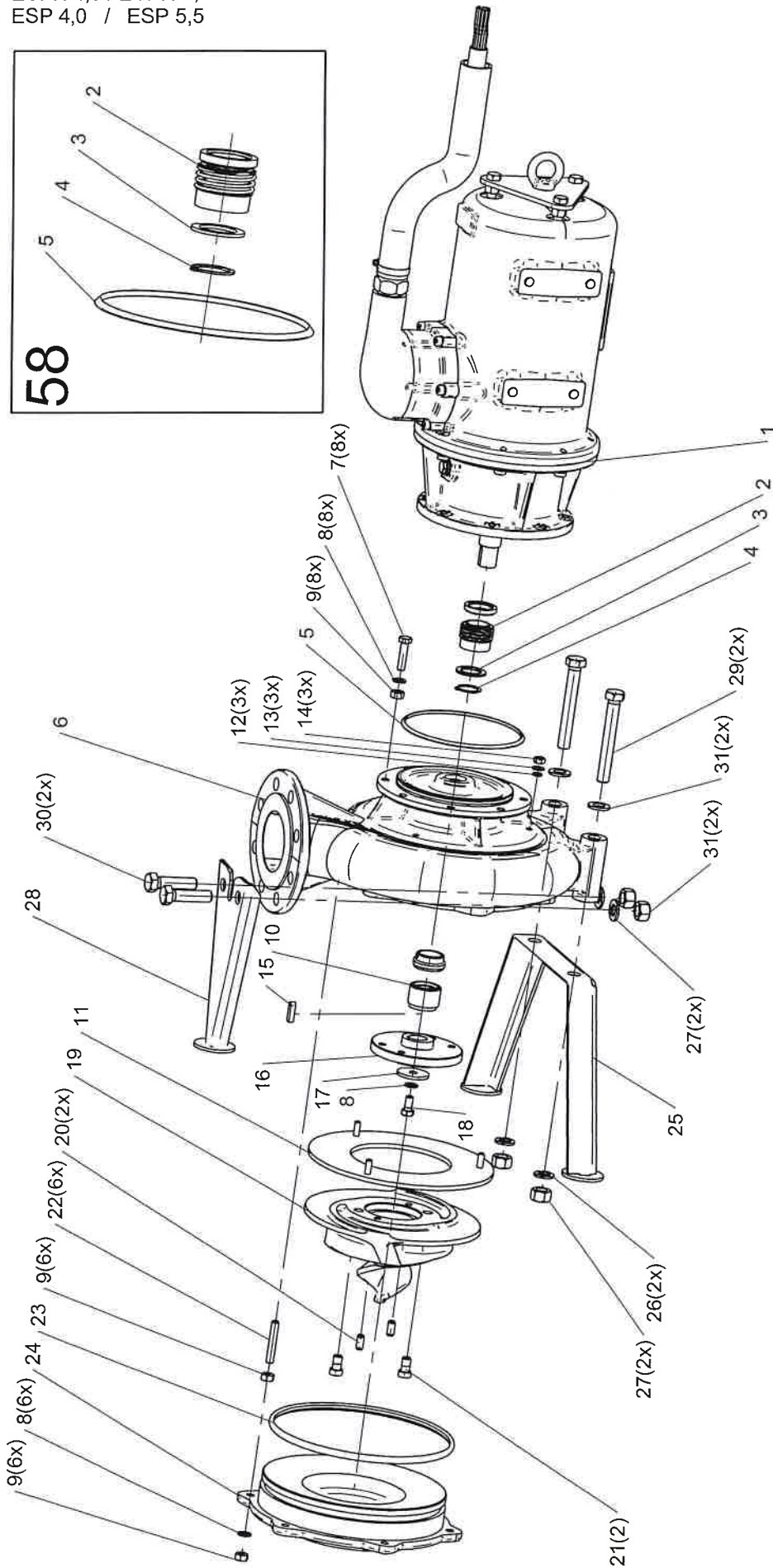
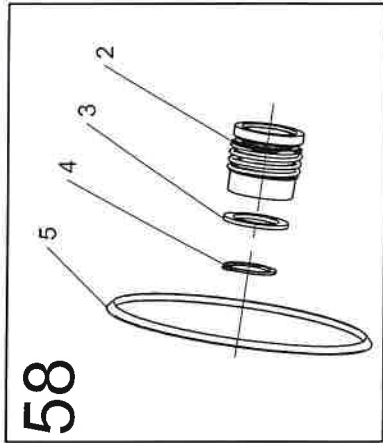
*Parts without parts no. are not available as spare parts. Price and delivery time only upon request*



344 0054, 344 0055 / 344 0094, 344 0095  
345 0054, 345 0055 / 345 0094, 345 0095

# Tauchmotorpumpe EU/USA

ESPH 4,0 / ESPH 5,5  
ESP 4,0 / ESP 5,5



## ERSATZTEILISTE

## Submersible Motor Pump ESP and ESPH

## LIST OF SPARE PARTS

344 0054, 344 0055, 344 094, 344 0095

## LISTE DES PIECES DE RECHANGE

345 0054, 345 0055, 345 094, 345 0095

Bild Fig. Rep.	Bestell Nr. Part No. Référence	Benennung Description Désignation	Stück quant. pièces	Stück quant. pièces	Stück quant. pièces	Stück quant. pièces
			4	5,5	4	5,5
1	344 5004	Submersible 3-ph motor 4,0 kW/400V/50Hz/ F	1			
	344 5005	Submersible 3-ph motor 5,5 kW/400V/50Hz/ F		1		
	344 6034	Submersible 3-ph motor 4,0 kW/480V/60Hz/ F			1	
	344 6035	Submersible 3-ph motor 5,5 kW/480V/60Hz/ F				1
1	345 6004	Submersible 3-ph motor 4,0 kW/400V/50Hz/ H	1			
	345 6005	Submersible 3-ph motor 5,5 kW/400V/50Hz/ H		1		
	345 6034	Submersible 3-ph motor 4,0 kW/480V/60Hz/ H			1	
	345 6035	Submersible 3-ph motor 5,5 kW/480V/60Hz/ H				1
2	*	Mechanical seal MG 12/30-G80 AQ1VGG		1		1
3		Supporting ring DIN 988 - S30x42x2,5		1		1
4	*	Circlip securing ring DIN 471 - 30x1,5		1		1
5	*	O-ring DIN 3771-160x4		1		1
6	344 0114	Spiral housing d225	1		1	1
	344 0104	Spiral housing d265		1		
7	*	Hex. screw DIN 933-M10x40-A4		8		8
8	*	Lock washer DIN 127-A10-A4		15		15
9	*	Hex. nut DIN 934-M10-A4		20		20
10	*	Mechanical seal MG 12/30-G60 Q1Q1VGG		1		1
11	*	Wear disk, welded d225	1		1	1
	*	Wear disk, welded d265		1		
12	*	Lock washer DIN 127-B8-A4		3		3
13	*	Washer DIN 125 -9-A2		1		1
14	*	Hex. nut DIN 934-M8-A4		1		1
15	*	Feather key DIN 6886-AB-8x7x28		1		1
16	*	Flanged pulley		1		1
17	*	Washer		1		1
18	*	Hex. screw DIN 933-M10x25-A2		2		2
19	*	Thick matter impeller Ø223x33,51	1			
	*	Thick matter impeller Ø263x30		1		
	*	Thick matter impeller Ø195x35,95			1	
	*	Thick matter impeller Ø215x34,2				1
20	*	Spring pin DIN 1481-10x20		2		2
21	*	Socket low head cap screw DIN 7984-M12x20-A2		2		2
22		Set screw DIN 913-M10x60-A4		6		6
23	*	O-ring DIN 3771-209,2x5,7	1		1	1
	*	O-ring DIN 3771-239,5x7,5		1		
24	344 0115	Suction bell 60 Hz	1		1	1
	344 0105	Suction bell 50 Hz		1		
25		Pump stand 01		1		1
26		Lock washer DIN 127-B16		2		2
27		Hex. nut DIN 934-M16-8		4		4
28		Pump stand 02		1		1
29		Hex. screw ISO 931-M16x130-8.8		2		2
30		Hex. screw ISO 4017-M16x60-8.8		2		2
31		Washer DIN 125-18		4		4
32		Pump fixing device		1		1
33		Hydraulic oil HYD HLP 22		1l		1l
34		Round head grooved pin 2X5, AL		4		4
35		Devcon Titanium P		0,03		0,03
36		Closing cap GPN 350 milky-white		8		8
37		Flange cover Kapsto GPN 680		1		1
38		Loctite adhesive 57466 250 ml		0,05		0,05
39	073 0051	Loctite adhesive 243 50 G		0,05		0,05
40		Riveting rating plate		1		1
41		Warning sign BSB no. 452315		1		1
42		Sticker		1		1
43		NEOPAL lacquer G 1027 T RAL 7032		0,15		0,15
44		Diluent for lacquers V 0003		0,1		0,1
45		EVERPAL lacquer D 1284 RAL 6018		0,25		0,25



50	344 2202	Repair kit mechanical seal	1		1	
52	344 2216	Repair kit thick matter impeller 223x33,51	1	1	1	1
	344 2214	Repair kit thick matter impeller 263x30				
	344 2217	Repair kit thick matter impeller 195x35,95				
	344 2215	Repair kit thick matter impeller 215x34,2			1	
53	344 2218	Repair kit flanged pulley	1	1	1	1
54	344 2222	Repair kit wear disk 60 Hz	1	1	1	1
	344 2220	Repair kit wear disk 50 Hz				
58	344 2232	Repair kit mechanical seal	1		1	

*\* nur im Set erhältlich / only available as set*

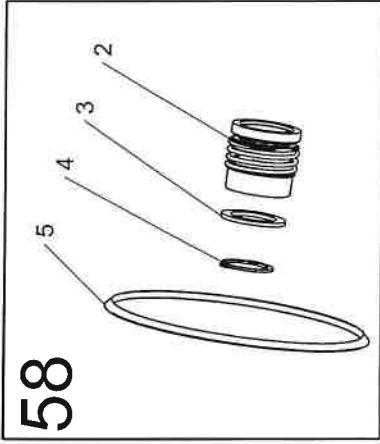
*Teile ohne Bestell Nr. sind keine E-Teile. Preis und Lieferzeit nur auf Anfrage.*

*Parts without parts no. are not available as spare parts. Price and delivery time only upon request.*

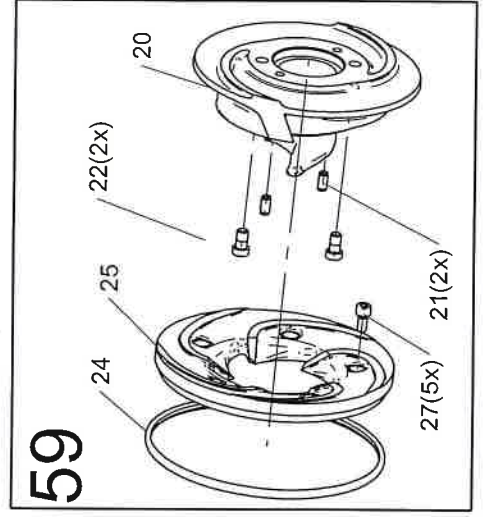
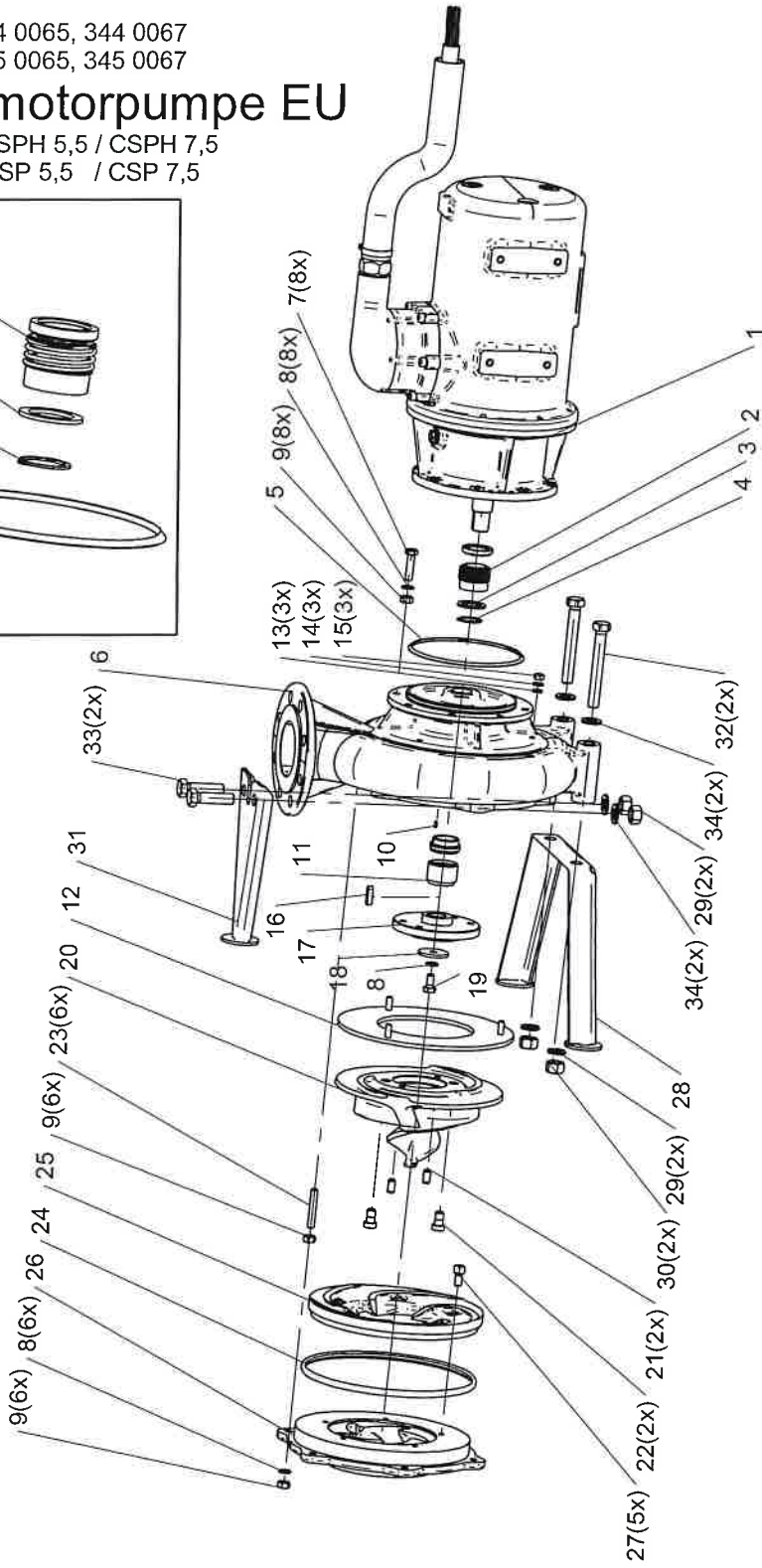
344 0064, 344 0065, 344 0067  
 345 0064, 345 0065, 345 0067

# Tauchmotorpumpe EU

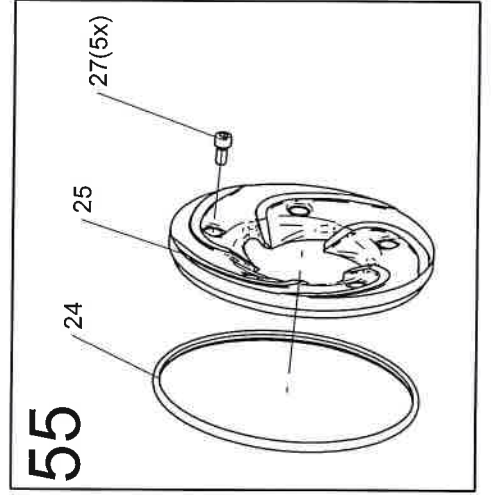
CSPH 4,0 / CSPH 5,5 / CSPH 7,5  
 CSP 4,0 / CSP 5,5 / CSP 7,5



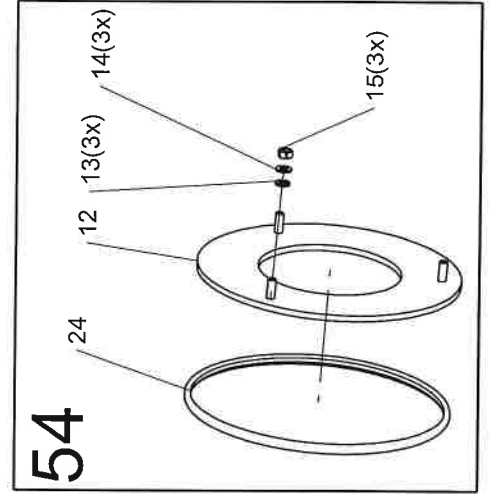
58



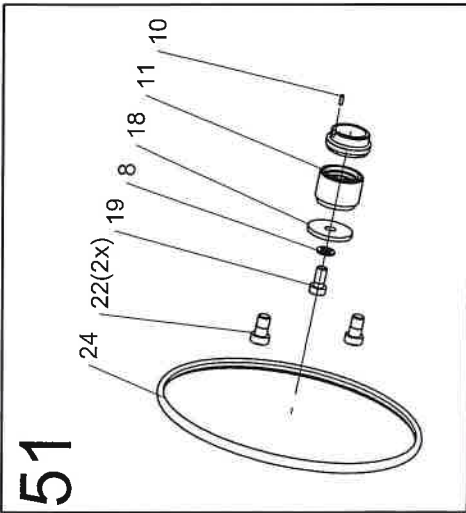
59



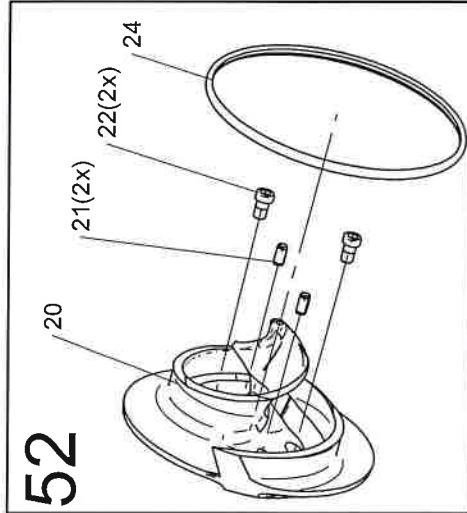
55



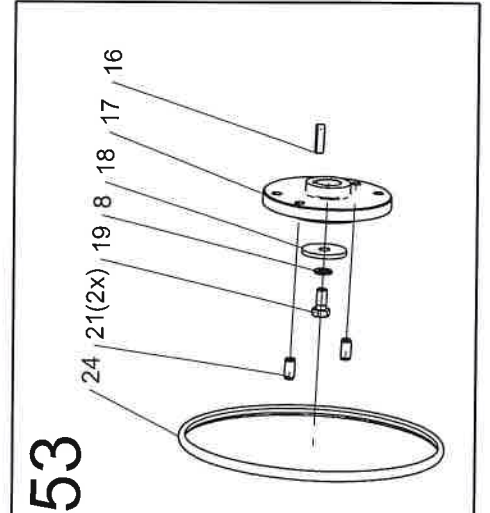
54



51



52



53

## ERSATZTEILISTE

## Submersible Motor Pump CSP and CSPH

## LIST OF SPARE PARTS

344 0064, 344 0065, 344 0067

## LISTE DES PIECES DE RECHANGE

345 0064, 345 0065, 345 0067

Bild Fig. Rep.	Bestell Nr. Part No. Référence	Benennung Description Désignation	Stück quant. pièces	Stück quant. pièces	Stück quant. pièces
			<b>4</b>	<b>5,5</b>	<b>7,5</b>
1	345 6004	Submersible 3-ph motor 4,0 kW/ 400 V / 50 Hz/ F	1		
	345 6005	Submersible 3-ph motor 5,5 kW/ 400 V / 50 Hz/ F		1	
	345 6007	Submersible 3-ph motor 7,5 kW/ 400 V / 50 Hz/ F			1
1	344 5004	Submersible 3-ph motor 4,0 kW/ 400 V / 50 Hz/ H	1		
	344 5005	Submersible 3-ph motor 5,5 kW/ 400 V / 50 Hz/ H		1	
	344 5007	Submersible 3-ph motor 7,5 kW/ 400 V / 50 Hz/ H			1
2	*	Mechanical seal MG 12/30-G80 AQ1VGG		1	
3		Supporting ring DIN 988 - S30x42x2,5		1	
4	*	Circlip securing ring DIN 471 - 30x1,5		1	
5	*	O-ring DIN 3771-160x4		1	
6	344 0114	Spiral housing d225	1		
	344 0104	Spiral housing d265		1	1
7	*	Hex. screw DIN 933-M10x40-A4		8	
8	*	Lock washer DIN 127-A10-A4		15	
9	*	Hex. nut DIN 934-M10-A4		20	
10	*	Spring pin DIN 1481-3x10		1	
11	*	Mechanical seal HJ977 GN/30 - 00 Q12Q12VGG1		1	
12	*	Wear disk, welded d225	1		
	*	Wear disk, welded d265		1	1
13	*	Lock washer DIN 127-B8-A4		3	
14	*	Washer DIN 125 -9-A2		1	
15	*	Hex. nut DIN 934-M8-A4		1	
16	*	Feather key DIN 6886-AB-8x7x28		1	
17	*	Flanged pulley		1	
18	*	Washer		1	
19	*	Hex. screw DIN 933-M10x25-A2		2	
20	*	Thick matter impeller Ø223x33,51	1		
	*	Thick matter impeller Ø263x30		1	1
21	*	Spring pin DIN 1481-10x20		2	
22	*	Socket low head cap screw DIN 7984-M12x20-A2		2	
23		Set screw DIN 913-M10x60-A4		6	
24	*	O-ring DIN 3771-209,2x5,7	1		
	*	O-ring DIN 3771-239,5x7,5		1	1
25	*	Cutting disk version 02 60Hz	1		
	*	Cutting disk version 02 50Hz		1	1
26	344 0215	Cutting bell version 02 60 Hz	1		
	344 0205	Cutting bell version 02 50 Hz		1	1
27	*	Socket low head cap screw DIN 7984-M10x20-A4		5	
28		Pump stand 01		1	
29		Lock washer DIN 127-B16		2	
30		Hex. nut DIN 934-M16-8		4	
31		Pump stand 02		1	
32		Hex. screw ISO 931-M16x130-8.8		2	
33		Hex. screw ISO 4017-M16x60-8.8		2	
34		Washer DIN 125-18		4	
35		Pump fixing device		1	
36		Hydraulic oil HYD HLP 22		1l	
37		Round head grooved pin 2X5, AL		4	
38		Devcon Titanium P		0,1	
39		Closing cap GPN 350 milky-white		8	
40		Flange cover Kapsto GPN 680		1	
41		Loctite adhesive 57466 250 ml		0,05	
42	073 0051	Loctite adhesive 243 50 G		0,05	
43		Riveting rating plate		1	
44		Warning sign BSB no. 452315		1	
45		Sticker		1	
46		NEOPAL lacquer G 1027 T RAL 7032		0,15	
47		Diluent for lacquers V 0003		0,1	
48		EVERPAL lacquer D 1284 RAL 6018		0,25	

51	344 2200	Repair kit mechanical seal		1	
52	344 2204	Repair kit thick matter impeller 263x30		1	1
	344 2208	Repair kit thick matter impeller 223x33,51	1		
53	344 2218	Repair kit flanged pulley		1	
54	344 2220	Repair kit wear disk 50 Hz		1	1
	344 2222	Repair kit wear disk 60 Hz	1		
55	344 2224	Repair kit cutting disk d225	1		
	344 2226	Repair kit cutting disk d265		1	1
58	344 2232	Repair kit mechanical seal		1	
59	344 2234	Repair kit cutter d263		1	1
	344 2236	Repair kit cutter d223	1		

**\* nur im Set erhältlich / only available as set**

**Teile ohne Bestell Nr. sind keine E-Teile. Preis und Lieferzeit nur auf Anfrage.**

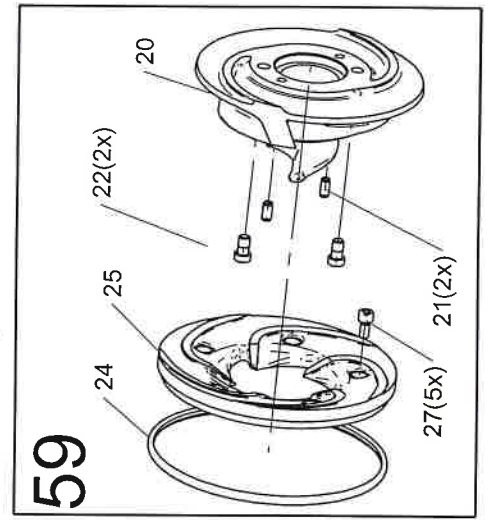
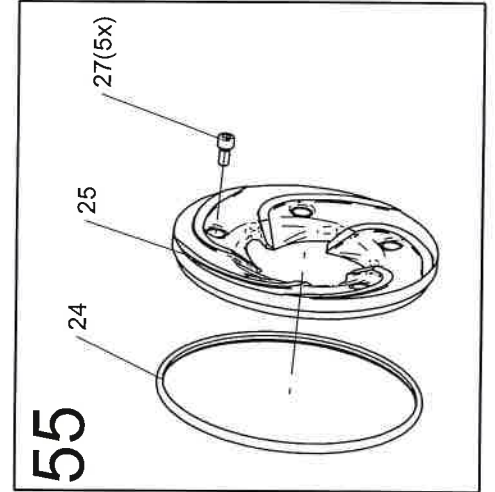
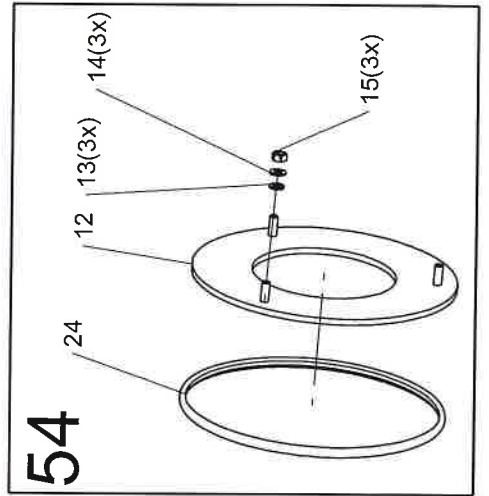
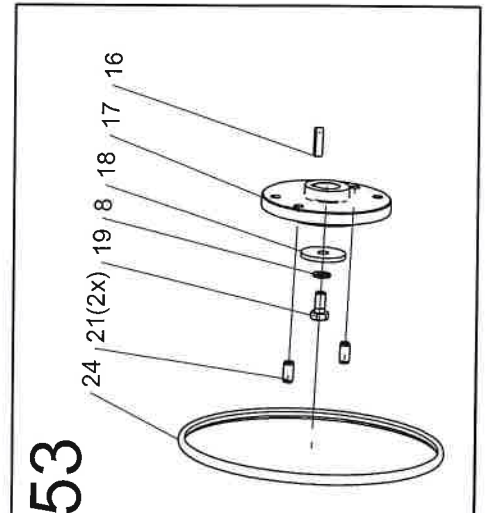
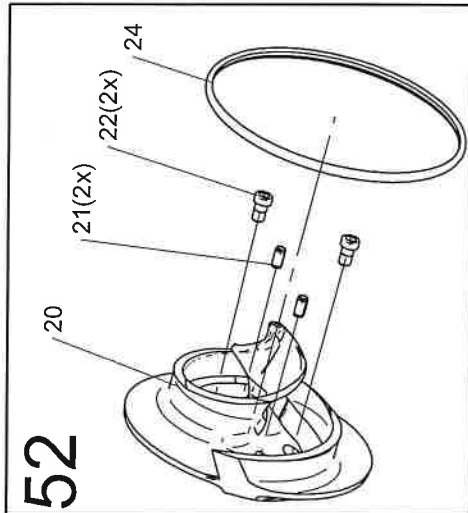
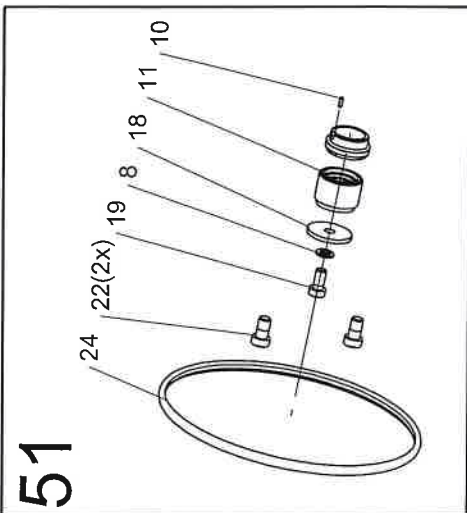
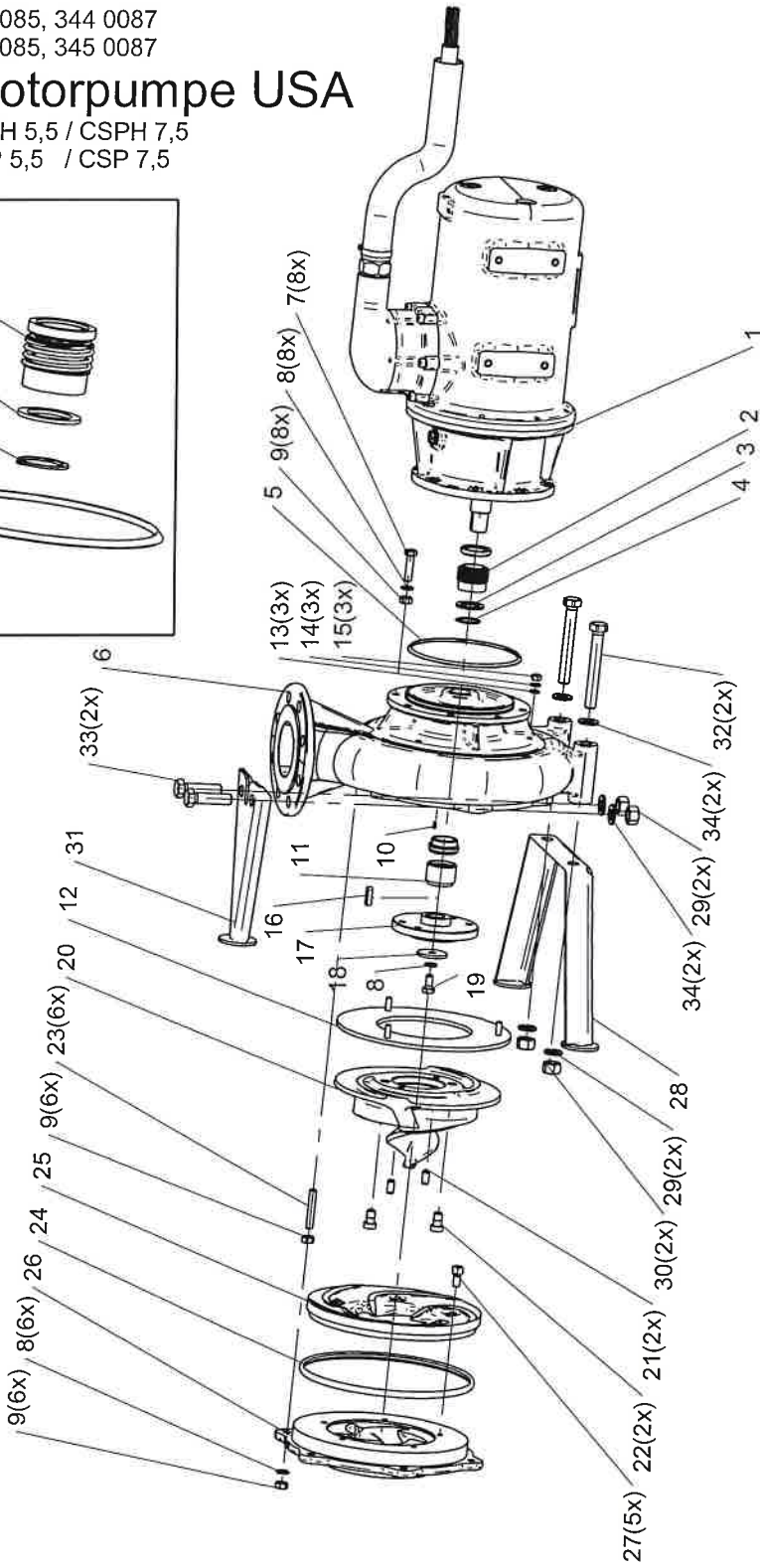
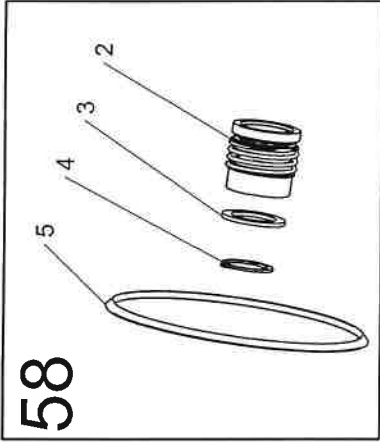
**Parts without parts no. are not available as spare parts. Price and delivery time only upon request**



344 0084, 344 0085, 344 0087  
345 0084, 345 0085, 345 0087

# Tauchmotorpumpe USA

CSPH 4,0 / CSPH 5,5 / CSPH 7,5  
CSP 4,0 / CSP 5,5 / CSP 7,5



## ERSATZTEILISTE

## Submersible Motor Pump CSP and CSPH

## LIST OF SPARE PARTS

344 0084, 344 0085, 344 0087

## LISTE DES PIECES DE RECHANGE

345 0084, 345 0085, 345 0087

Bild Fig. Rep.	Bestell Nr. Part No. Référence	Benennung Description Désignation	Stück quant. pièces	Stück quant. pièces	Stück quant. pièces
			<b>4</b>	<b>5,5</b>	<b>7,5</b>
1	345 6034 345 6035 345 6037	Submersible 3-ph motor 4,0 kW/ 480 V / 60 Hz/ F Submersible 3-ph motor 5,5 kW/ 480 V / 60 Hz/ F Submersible 3-ph motor 7,5 kW/ 480 V / 60 Hz/ F	1	1	1
1	344 6034 344 6035 344 6037	Submersible 3-ph motor 4,0 kW/ 480 V / 60 Hz/ H Submersible 3-ph motor 5,5 kW/ 480 V / 60 Hz/ H Submersible 3-ph motor 7,5 kW/ 480 V / 60 Hz/ H	1	1	1
2	*	Mechanical seal MG 12/30-G80 AQ1VGG		1	
3		Supporting ring DIN 988 - S30x42x2,5		1	
4	*	Circlip securing ring DIN 471 - 30x1,5		1	
5	*	O-ring DIN 3771-160x4		1	
6	344 0114 344 0104	Spiral housing d225 Spiral housing d265	1	1	1
7	*	Hex. screw DIN 933-M10x40-A4		8	
8	*	Lock washer DIN 127-A10-A4		15	
9	*	Hex. nut DIN 934-M10-A4		20	
10	*	Spring pin DIN 1481-3x10		1	
11	*	Mechanical seal HJ977 GN/30 - 00 Q12Q12VGG1		1	
12	* *	Wear disk, welded d225 Wear disk, welded d265	1	1	1
13	*	Lock washer DIN 127-B8-A4		3	
14	*	Washer DIN 125 -9-A2		3	
15	*	Hex. nut DIN 934-M8-A4		3	
16	*	Feather key DIN 6886-AB-8x7x28		1	
17	*	Flanged pulley		1	
18	*	Washer		1	
19	*	Hex. screw DIN 933-M10x25-A2		2	
20	* * *	Thick matter impeller Ø195x35,96 Thick matter impeller Ø215x34,2 Thick matter impeller Ø240x32,02	1	1	1
21	*	Spring pin DIN 1481-10x20		2	
22	*	Socket low head cap screw DIN 7984-M12x20-A2		2	
23		Set screw DIN 913-M10x60-A4		6	
24	* *	O-ring DIN 3771-209,2x5,7 O-ring DIN 3771-239,5x7,5	1	1	1
25	* *	Cutting disk version 02 60Hz Cutting disk version 02 50Hz	1	1	1
26	344 0215 344 0205	Cutting bell version 02 60 Hz Cutting bell version 02 50 Hz	1	1	1
27	*	Socket low head cap screw DIN 7984-M10x20-A4		1	
28		Pump stand 01		1	
29		Lock washer DIN 127-B16		2	
30		Hex. nut DIN 934-M16-8		4	
31		Pump stand 02		1	
32		Hex. screw ISO 931-M16x130-8.8		2	
33		Hex. screw ISO 4017-M16x60-8.8		2	
34		Washer DIN 125-18		4	
35		Pump fixing device		1	
36		Hydraulic oil HYD HLP 22		1l	
37		Round head grooved pin 2X5, AL		4	
38		Devcon Titanium P		0,1	
39		Closing cap GPN 350 milky-white		8	
40		Flange cover Kapsto GPN 680		1	
41		Loctite adhesive 57466 250 ml		0,05	
42	073 0051	Loctite adhesive 243 50 G		0,05	
43		Riveting rating plate		1	
44		Warning sign BSB no. 452315		1	
45		Warning sign motor protection		1	
46		Sticker		1	

51	344 2200	Repair kit mechanical seal	1		
52	344 2206	Repair kit thick matter impeller 240x32,2			1
	344 2210	Repair kit thick matter impeller 215x34,2		1	
	344 2212	Repair kit thick matter impeller 195x35,96	1		
53	344 2218	Repair kit flanged pulley	1		
54	344 2220	Repair kit wear disk 50 Hz			1
	344 2222	Repair kit wear disk 60 Hz	1	1	
55	344 2224	Repair kit cutting disk d225	1	1	
	344 2226	Repair kit cutting disk d265			1
58	344 2232	Repair kit mechanical seal	1		
59	344 2238	Repair kit cutter d240			1
	344 2240	Repair kit cutter d215		1	
	344 2242	Repair kit cutter d195	1		

**\* nur im Set erhältlich / only available as set**

**Teile ohne Bestell Nr. sind keine E-Teile. Preis und Lieferzeit nur auf Anfrage.**

**Parts without parts no. are not available as spare parts. Price and delivery time only upon request**

